

INTRODUCTION

This is capable of non-contact (infrared) temperature measurements at the touch of a button. The built-in laser pointer increases target accuracy while the backlight LCD and handy push-buttons combine for convenient, ergonomic operation.

The Non-contact Infrared Thermometers can be used to measure the temperature of objects' surface that is improper to be measured by traditional (contact) thermometer (such as moving object, the surface with electricity current or the objects which are uneasy to be touched.)

FEATURES

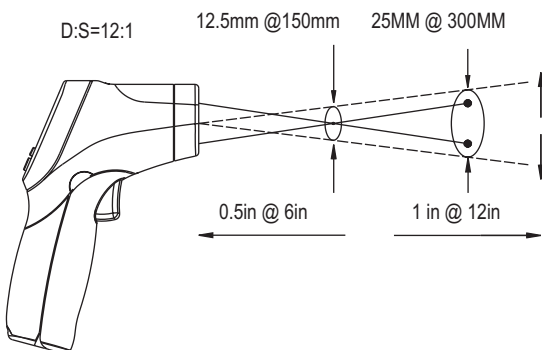
- Rapid detection function
- Precise non-contact measurements
- Dual laser sighting to indicate the diameter of target whose temperature is being measured
- Unique flat surface, modern housing design
- Automatic Data Hold
- °C/°F switch
- Emissivity Digitally adjustable from 0.10 to 1.0
- MAX temperature displays
- Backlight LCD display
- Automatic selection range and Display Resolution 0.1°C(0.1°F)
- Trigger lock
- Set high and low alarms

WIDE RANGE APPLICATION:

Food preparation, Safety and Fire inspectors, Plastic molding, Asphalt, Marine and Screen printing, measure ink and Dryer temperature, HVAC/R, Diesel and Fleet maintenance

Distance & Spot Size

As the distance (D) from the object increases, the spot size (S) of the area measured by the unit becomes larger. The relationship between distance and spot size for each unit is listed below. The focal point for each unit is 914mm (36"). The spot sizes indicate 90% encircled energy.



SPECIFICATIONS

Temperature range	-50° to 600°C (-58°F~1112°F)
D : S	12 : 1
Display resolution	0.1 °C(0.1°F) <1000 1 °F >1000
Accuracy for targets:	
Assumes ambient operating temperature of	23 to 25 °C (73 to 77°F) -50 ~ 20°C (-58°F ~ 68°F) ± 2.5°C (4.5°F) 20°C ~ 300°C (68°F ~ 572°F) ±1.0% ± 1.0°F (1.8°F) 300°C ~ 660°C (572°F ~ 1112°F) ±1.5%
Repeatability	-50 ~ 20°C (-58 ~ 68°F) : ± 1.3°C (2.3°F) 20 ~ 600°C (68 ~ 1122°F): ± 0.5% or ± 0.5°C (0.9°F)
Response time	150ms
Spectral response	8~14um
Emissivity	Digitally adjustable from 0.10 to 1.0
Over range indication	LCD will show "----"
Polarity	Automatic (no indication for positive polarity); Minus (-) sign for negative polarity output <1mW
Diode laser	
Wavelength	630 ~ 670nm
Class 2 laser product	
Operating temp.	0 to 50 °C (32 to 122 °F)
Storage temp.	-10 to 60 °C (14 to 140 °F)
Relative humidity	10% ~ 90% RH operating, <80% RH storage
Power supply	9V battery, NEDA 1604A or IEC 6LR61, or equivalent
Safety	" CE " Comply with EMC

*Technical Specifications & Appearance are subject to change without prior notice