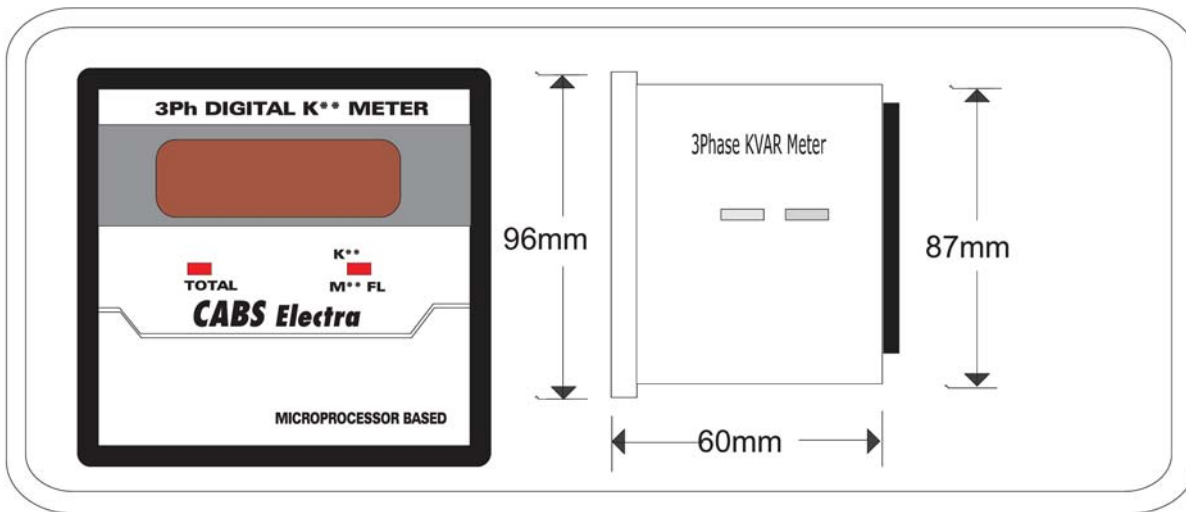
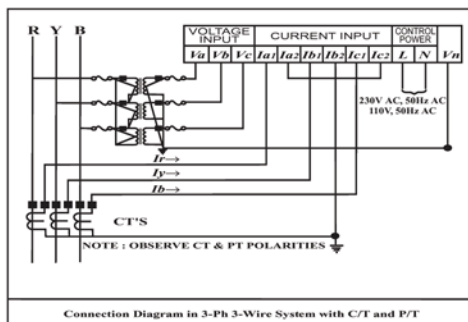
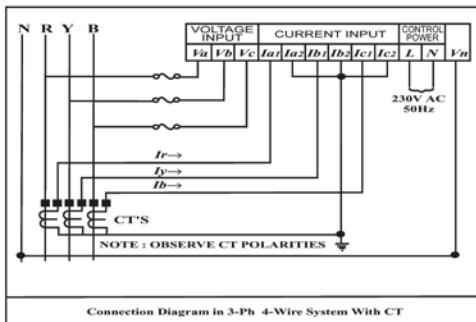


INTRODUCTION

The CE03** series of KVAR meters are microprocessor based instruments that measure Reactive power respectively. They are suitable for direct line applications or for use in a HV system in conjunction with a CT having a 1Amp or 5Amp CT secondary and PT having a 110V secondary. The measured KVAR is continuously displayed in a 4-digit LED display on its front panel. A minimum of 10% of full load current is required for proper meter operation. The meters are autoranging from KVAR to MVAR.



CONNECTION DIAGRAM :



TECHNICAL SPECIFICATIONS

Input Impedance	0.002 ohm for current circuit 1 Meg. ohm for voltage circuit
Control Power	230 Volt AC \pm 10%, 50/60 Hz, 3VA, or 110 Volt AC \pm 10% 50/60 Hz, 3VA (as per order)
Voltage Input	250 V Max phase to neutral at any voltage terminal
Current Input	7A Max continuous at any current terminal
CT secondary	5 Amp or 1Amp (on order)
Accuracy	1% of Full Scale
Display	4 digit Red LED
Range	Display max 9999 MVA or 9999 MVAR
Environmental	
Operating Temperature	0°C to 70°C
Storage Temperature	-20°C to 85°C
Relative Humidity	95% N.C.
Dielectric	2 KV for 1 minute

*Technical Specifications & Appearance are subject to change without prior notice